

Lift axle control valve (LACV II)

463 084 031 0
463 084 041 0 with quick connector

Levelling valve

464 006 002 0
464 006 100 0 with integral height limiting
464 006 102 0 with quick connector

Link
433 401 003 0

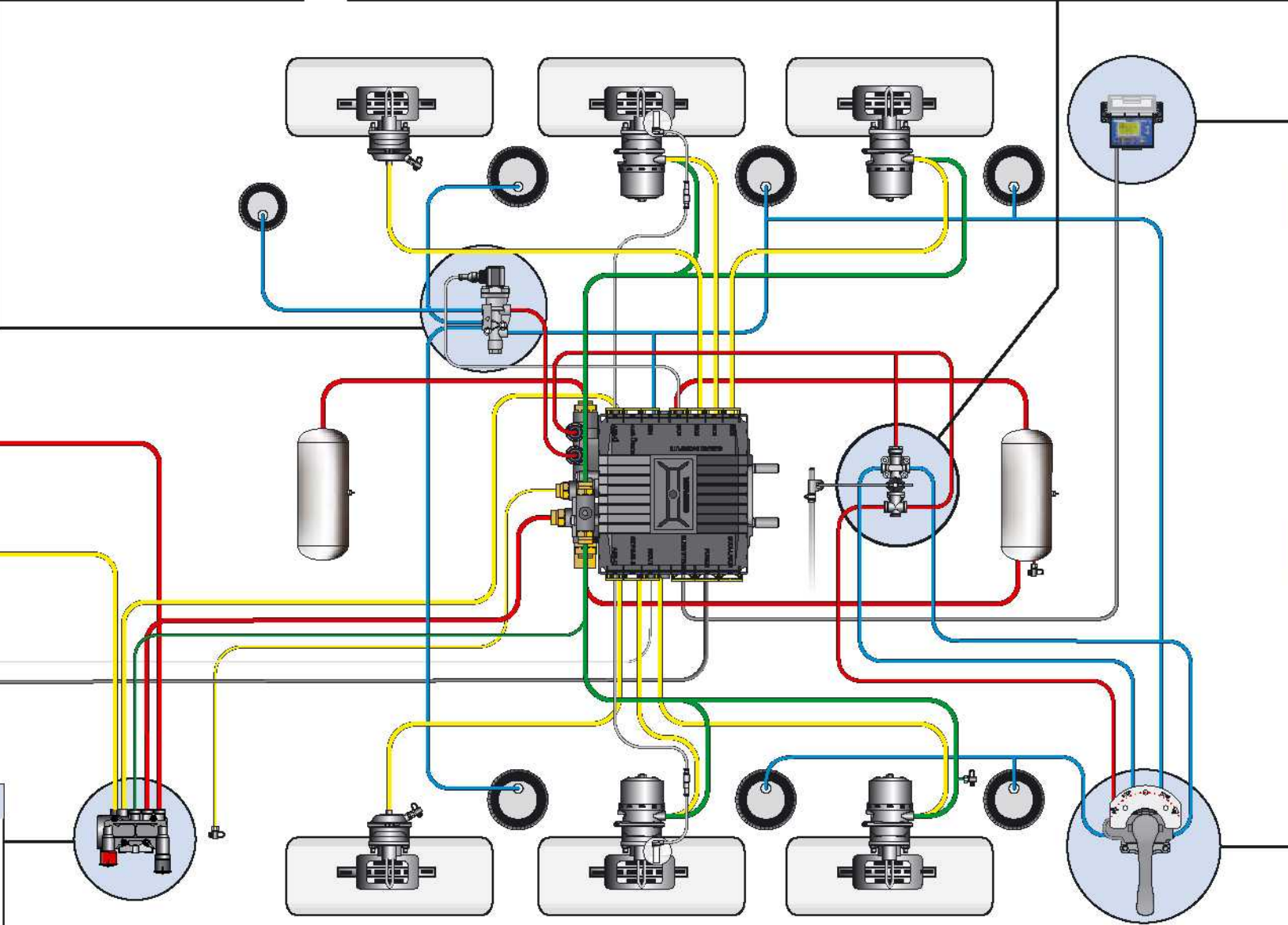
Coupling head with integrated filter

Supply
952 201 012 0
952 201 015 0 with quick connector

Control
952 201 011 0
952 201 014 0 with quick connector + test point

Park Release Emergency Valve (PREV)

Product number	Quick connector	Plate	Test point
971 002 900 0	X	✓	X
971 002 902 0	X	X	X
971 002 910 0	✓	X	X
971 002 911 0	✓	X	X
971 002 912 0	✓	✓	✓



Information system

SmartBoard
446 192 110 0

Suspension control

Rotary slide valve
463 032 020 0
463 032 220 0 with Quick connector

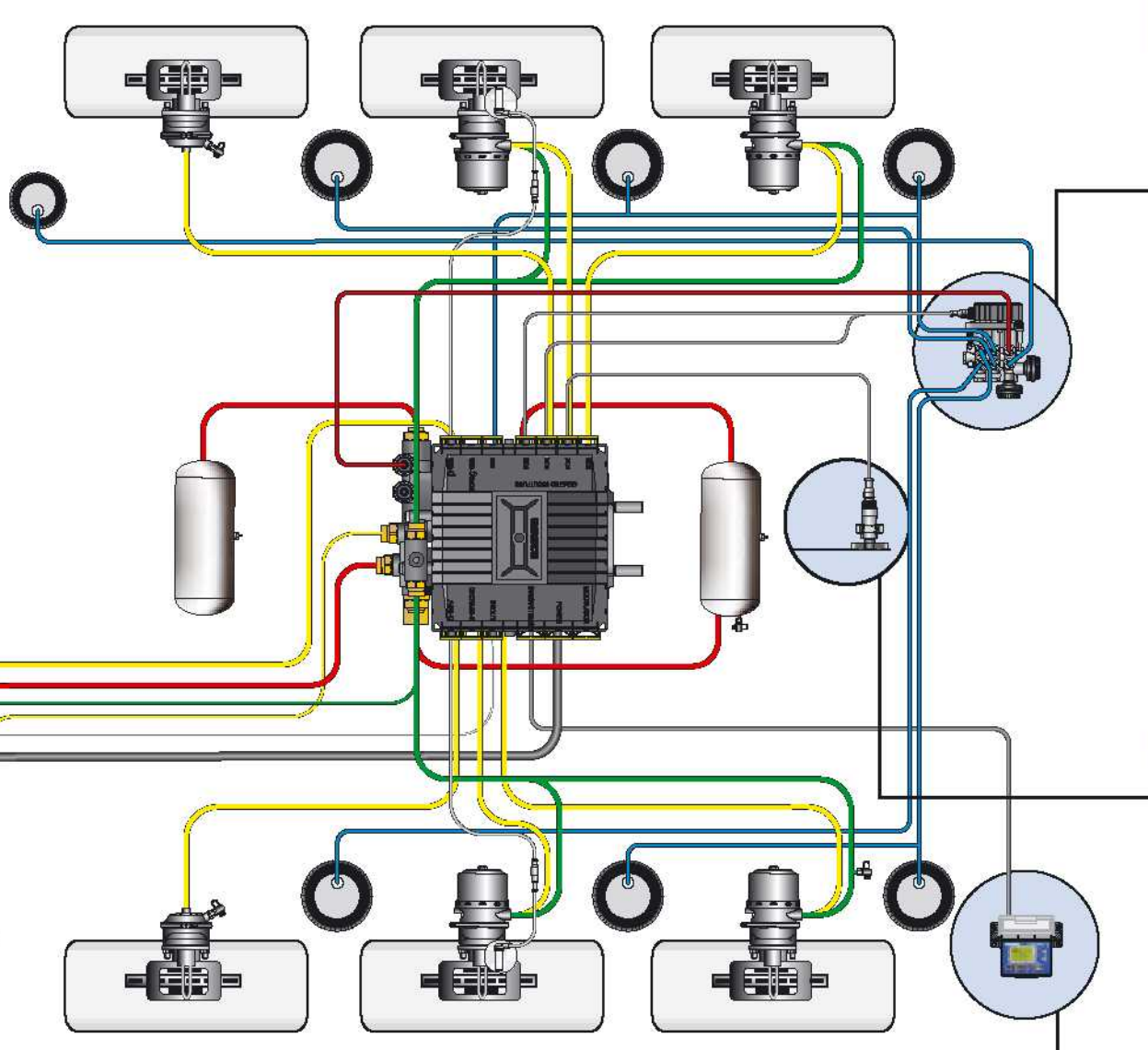
Standard with Conventional Air Suspension

Trailer EBS E Modulator	Product number	System	Support mech. suspension	Integrated control air suspension	Number of GIOs	PEM	Quick connector	Supported piping supply	Air susp.
	480 102 030 0	Standard, 2S/2M	X	X	4	X	X		
	480 102 031 0	Standard, 2S/2M	X	X	4	✓	✓	∅ 16 × 2	∅ 8 × 1
	480 102 032 0	Standard, 2S/2M	X	X	4	X	✓		
	480 102 033 0	Standard, 2S/2M	X	X	4	✓	✓	∅ 15 × 1.5	∅ 12 × 1.5
	480 102 034 0	Standard, 2S/2M	X	X	4	✓	X		
	480 102 060 0	Premium, max 4S/3M	✓	✓	7	X	X		
	480 102 061 0	Premium, max 4S/3M	✓	✓	7	✓	✓	∅ 16 × 2	∅ 8 × 1
	480 102 062 0	Premium, max 4S/3M	✓	✓	7	X	✓		
	480 102 063 0	Premium, max 4S/3M	✓	✓	7	✓	✓	∅ 15 × 1.5	∅ 12 × 1.5
	480 102 064 0	Premium, max 4S/3M	✓	✓	7	✓	X		

Diagnosis Trailer EBS E

Diagnostic Interface with USB interface 446 301 022 0	Diagnostic cable 446 300 361 0	Connection adapter ISO 7638 with CAN socket 446 300 360 0
Option 2 Diagnostic Interface with serial interface 446 301 021 0	CAN converter 446 300 470 0	Connection adapter ISO 7638 with CAN socket 446 300 360 0
Option 3 Diagnostic Interface USB or serial	Diagnostic cable 446 300 361 0	Diagnostic connection with yellow cap (only Premium ECU) 449 611 ... 0

Premium with Electronic Air Suspension



ECAS solenoid valve

472 880 030 0 with axle control
472 905 114 0 with axle + lift axle control

ECAS sensor

Distance sensor
441 050 100 0
Lever
441 050 718 2
Link
433 401 003 0

Suspension control

Remote control
446 056 25 . 0 tractor and trailer control - from cab - required WABCO CAN2 ECU.

ECAS control box
446 156 010 0 with axle control
446 156 011 0 with axle + lift axle control

ECAS remote control
446 056 116 0 with axle control
446 056 117 0 with axle + lift axle control

SmartBoard
446 192 110 0