

MAINTENANCE OF WABCO AIR DISC BRAKES

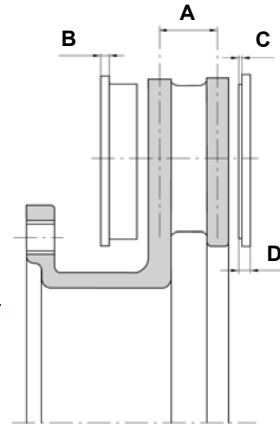
1 IDENTIFY YOUR BRAKE



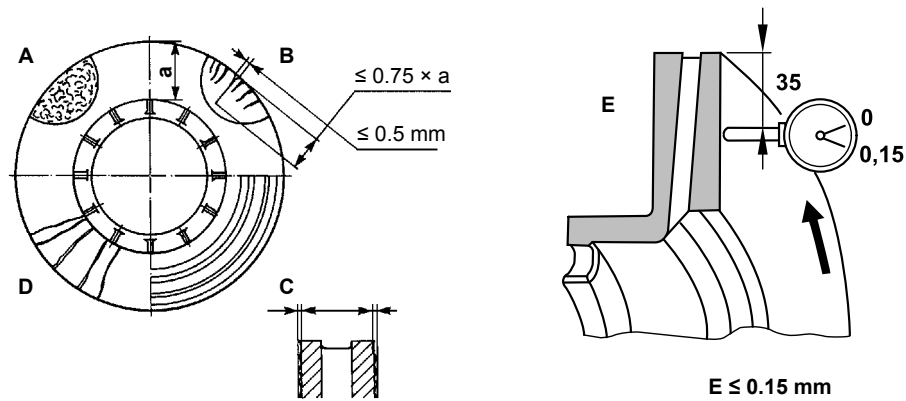
2 DETECT WEAR OUTS

Wear limits

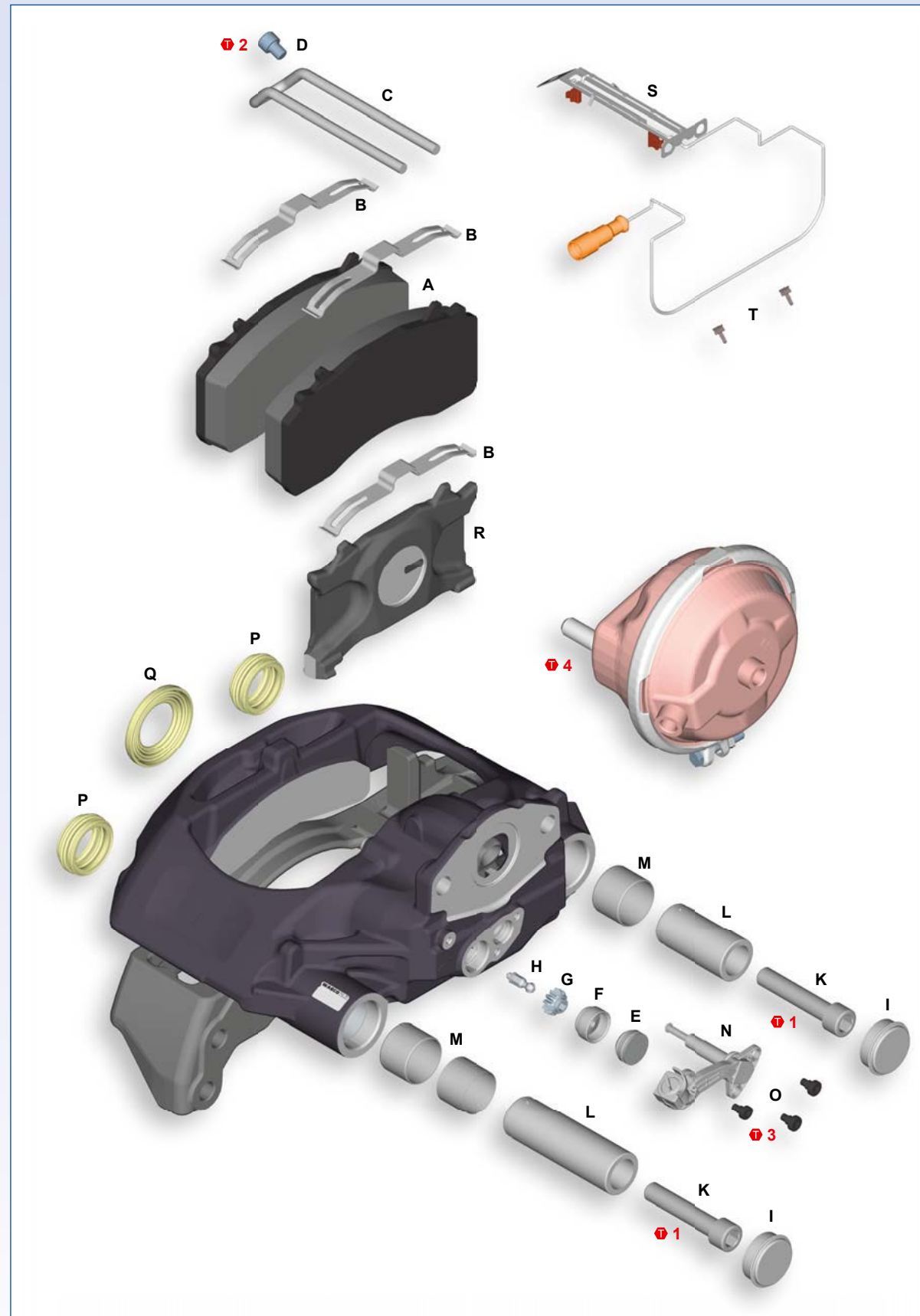
Pos.	MAXX 17		MAXX 19, MAXX 22, MAXX 22T, MAXXUS	
	mm	inch	mm	inch
A	28	1.10	37	1.46
B	7	0.28	9	0.35
C	2	0.08	2	0.08
D	9	0.35	11	0.43



Check disc



Pos.	Description	Comment
a	Width rubbing surface	
A	Crazing	permissible
B	Radial cracks, width $\leq 0.5 \text{ mm}$ ($\leq 0.020''$)	permissible
C	Unevenness $\leq 1.5 \text{ mm}$ ($\leq 0.059''$)	permissible
D	Cracks across rubbing surface	not permissible
E	Disc runout $\leq 0.15 \text{ mm}$ ($\leq 0.006''$)	permissible



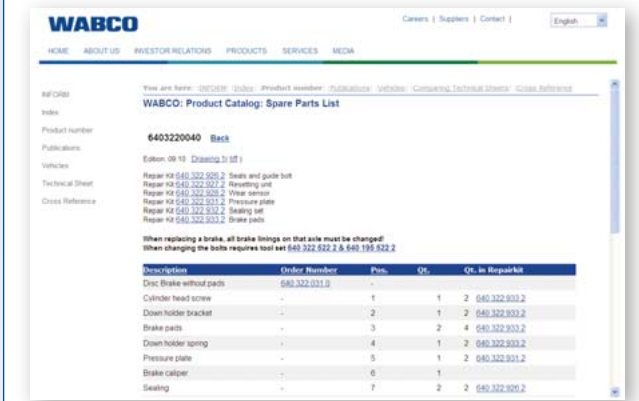
3 USE REPAIR KITS

Pos.	Kit name	Repair
A - E	Pads	per axle
E - H	Adjuster	per brake
I - M, E, P, Q	Guide bolts & seals*	per brake
N, O, E	Electrical wear sensor	per axle
E, Q	Protection cap	per brake
R	Pressure plate	per brake
S, T	Wear indicator	per axle

* Tool box required

4 FIND REPAIR KIT

- Open INFORM on www.wabco-auto.com
- Enter product number of brake caliper
- Click repair radio button
- Open spare part sheet



5 ASSEMBLE USING CORRECT TORQUE

Pos.	MAXX 17	MAXX 19, MAXX 22, MAXX 22T, MAXXUS
1	130 \pm 10 Nm + 90° \pm 5°	130 \pm 10 Nm + 90° \pm 5°
2	20 \pm 2 Nm	30 +15 Nm
3	9 \pm 2 Nm	9 \pm 2 Nm
4	Observe the instructions of the brake cylinder manufacturer. WABCO: 210 -30 Nm	

6 ADJUST CLEARANCE

1.2 mm air gap between pad and disc



www.wabco-auto.com

WABCO